

9.27.2018

2018 Face-to-Face

SEER*DMS

Pathology Infrastructure

Summary

[SEER.cancer.gov](https://seer.cancer.gov)

Background

Goal: Understand how each registry receives and processes their pathology reports to inform decision in different areas in SEER

- Need for a comprehensive understanding
- April 2018 - Initial survey sent to 17 SEER*DMS registries
- July and August 2018 - followed up with 12 registries for second round of questions and clarifications
- Identified 40+ system configurations (routes) for receiving and processing pathology reports
- Current Status: finalizing individual system configurations with each registry, simplifying and consolidating path routes

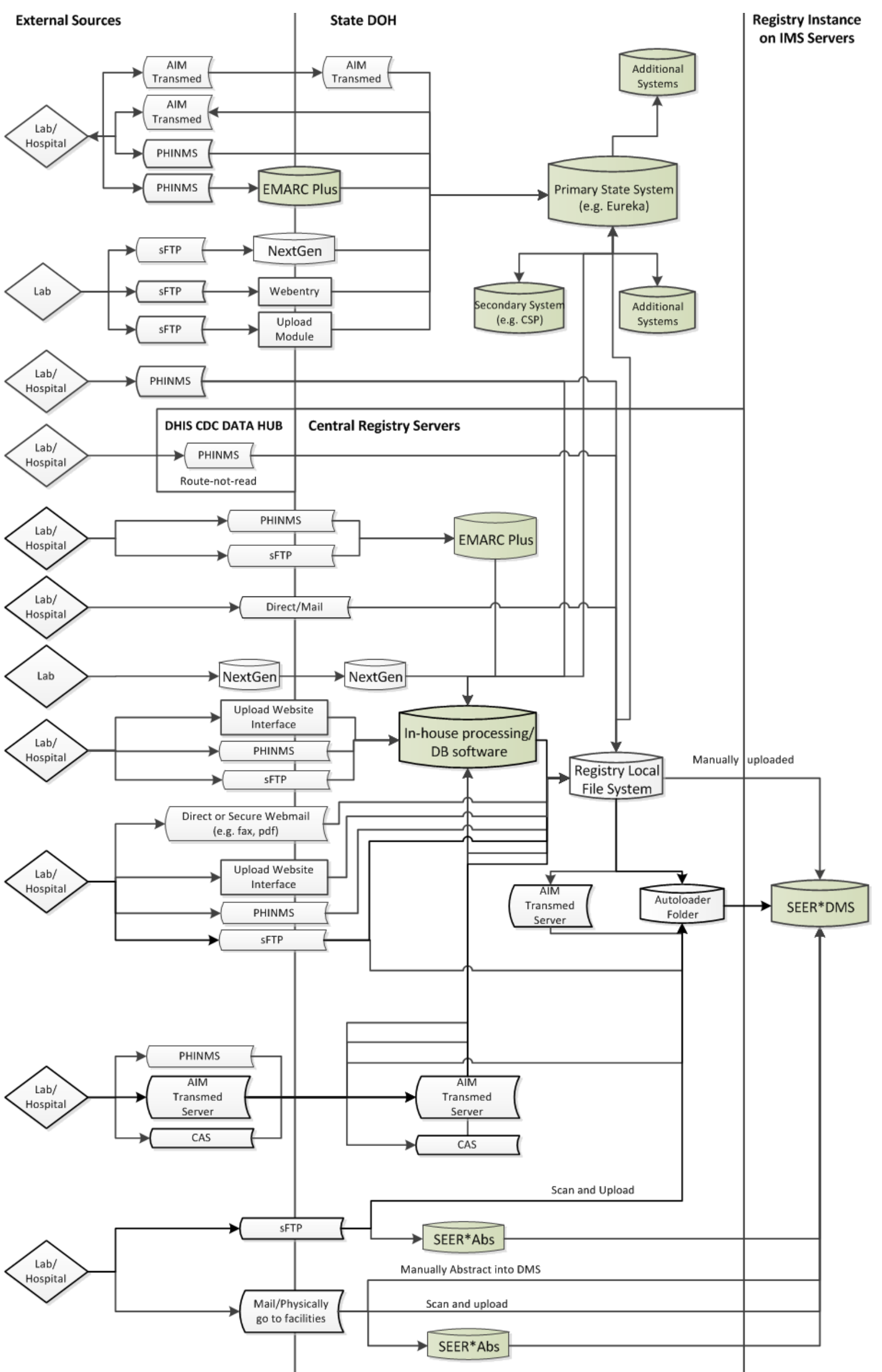
17
Registries
Surveyed

12
Registries
Called

40+
Pathology
Routes

Patterns

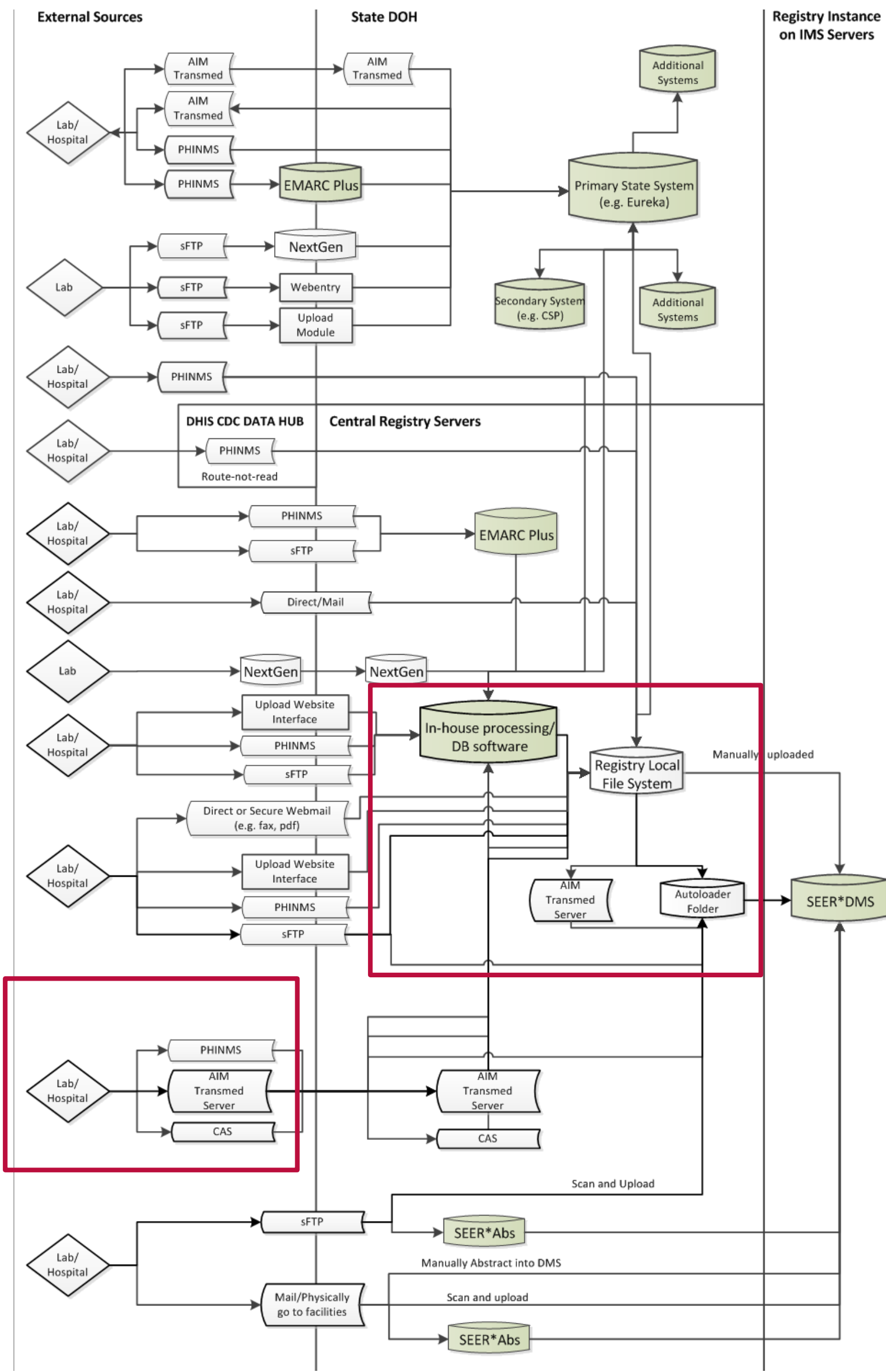
- Classifying Pathology Reports
- Pathology Report Usage
- Providing Data Back to Facilities
- Interstate vs. In State Reports



Classifying Reports

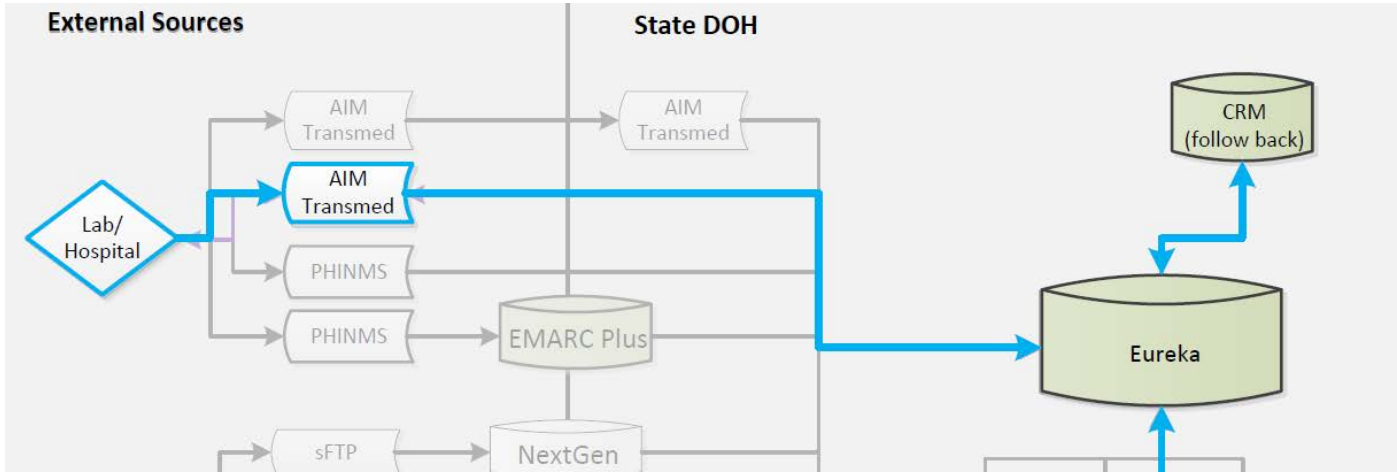
Q: How do registries filter reports that are not relevant to cancer surveillance or not appropriate for the registry to have?

- At the source facility
- At the registry
 - Greater control of filtering
 - Ability to rescan reports as filters change

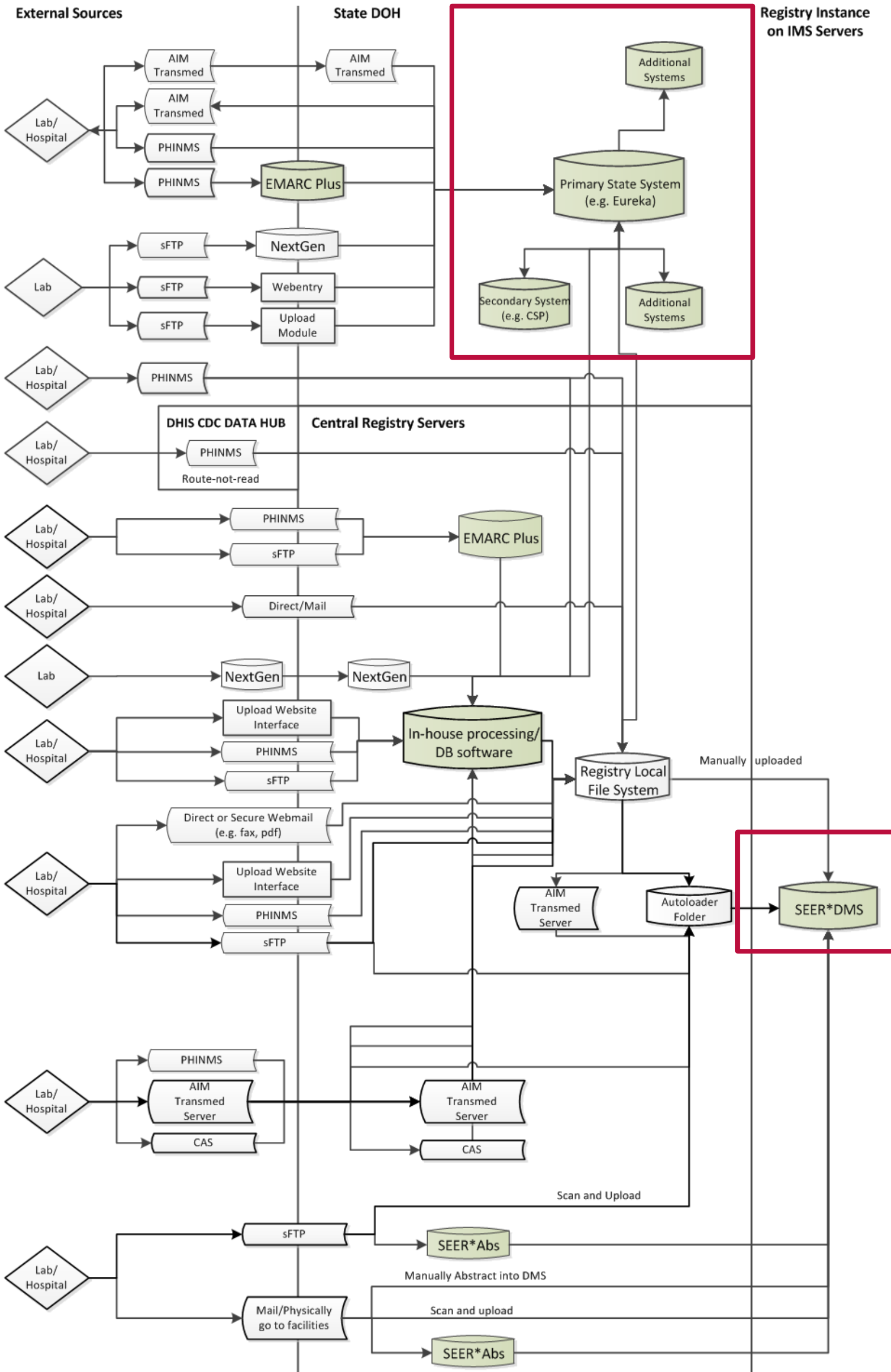
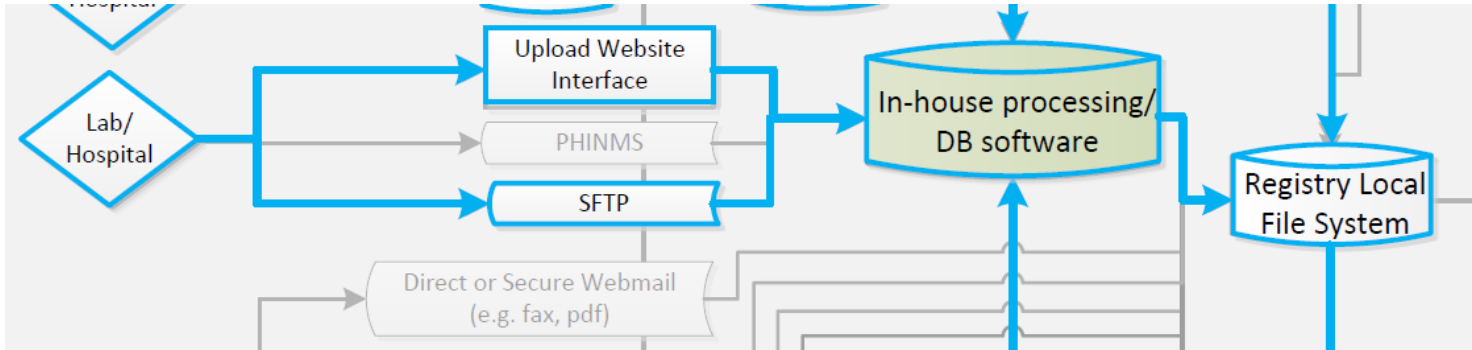


Use of Pathology Reports

Using reports primarily for case finding



Using reports for case finding, visual editing, and consolidation of cases – comprehensive usage

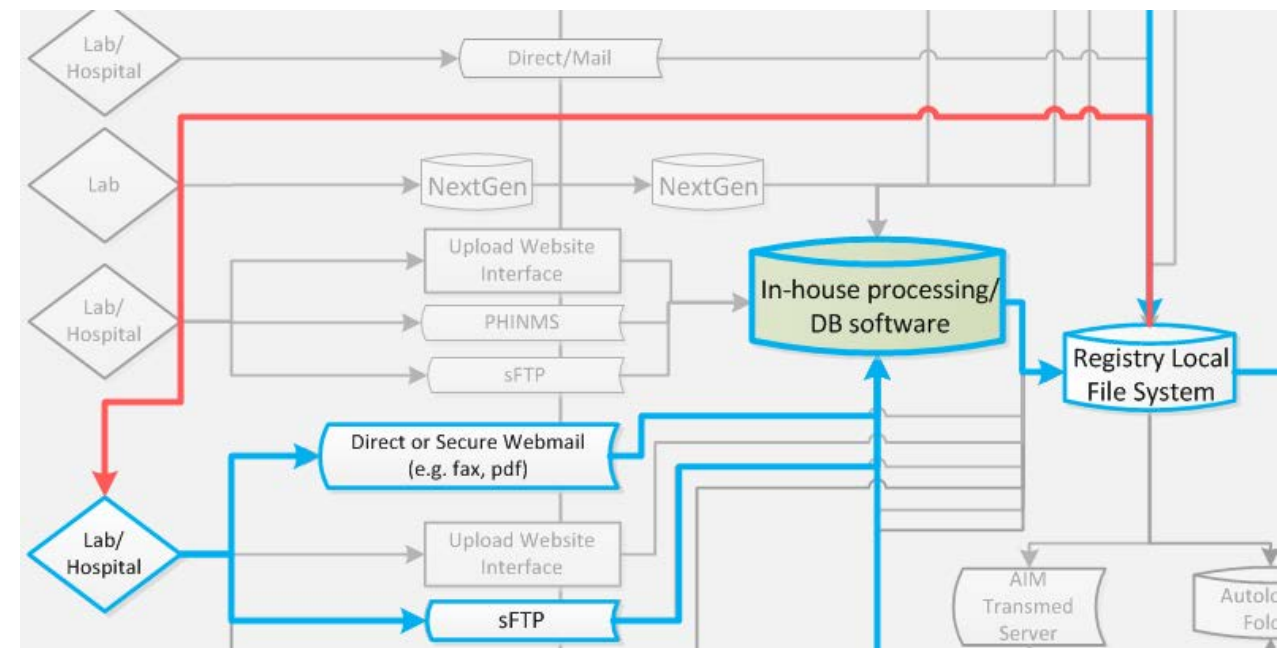
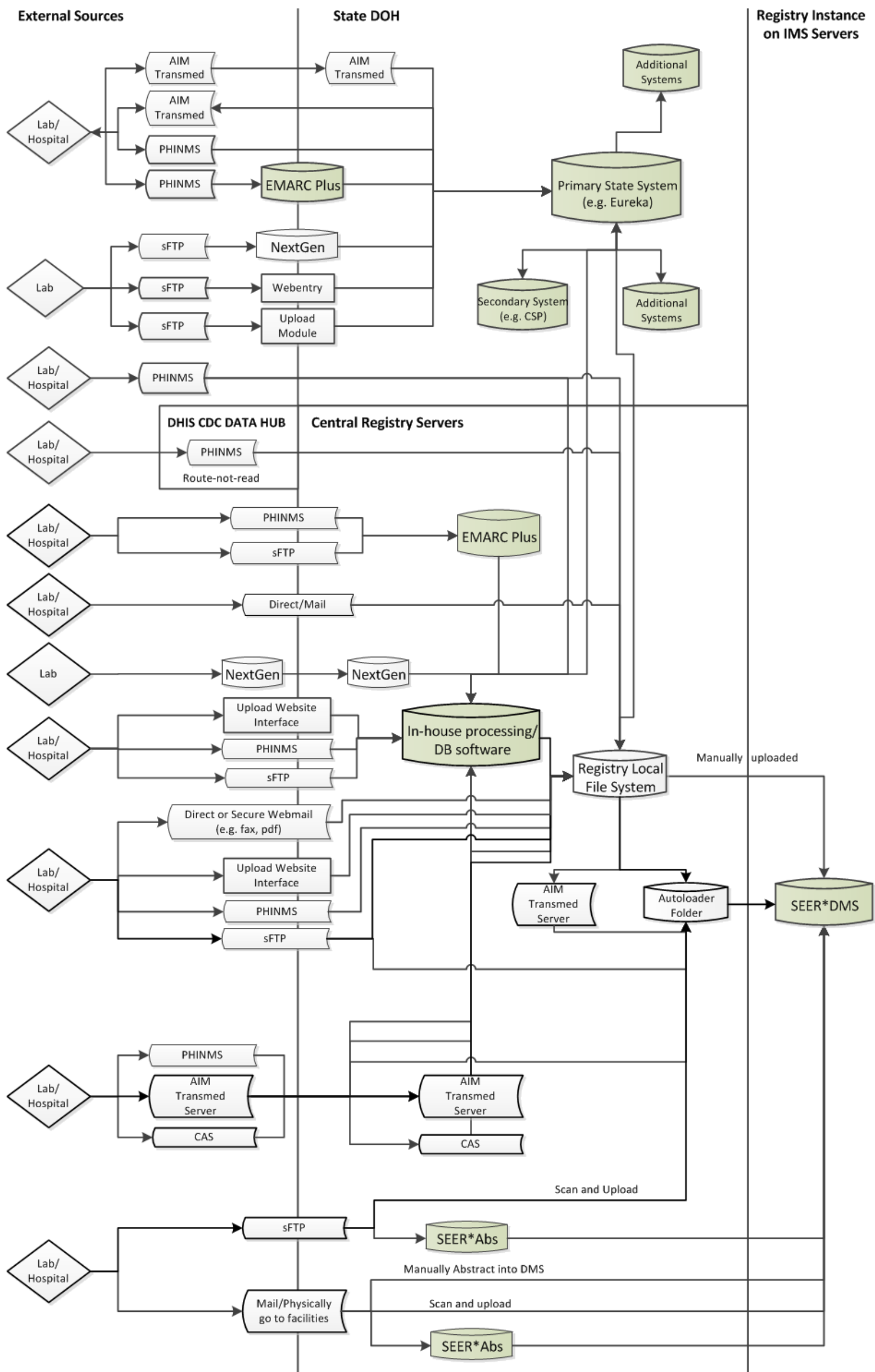


Data Brokerage

Providing data back to source facilities can be a key method of establishing relationships with facilities

Q: Can we define a workflow process for this?

Q: Are there current barriers and lessons learned to sending data back?



Establishing Relationships

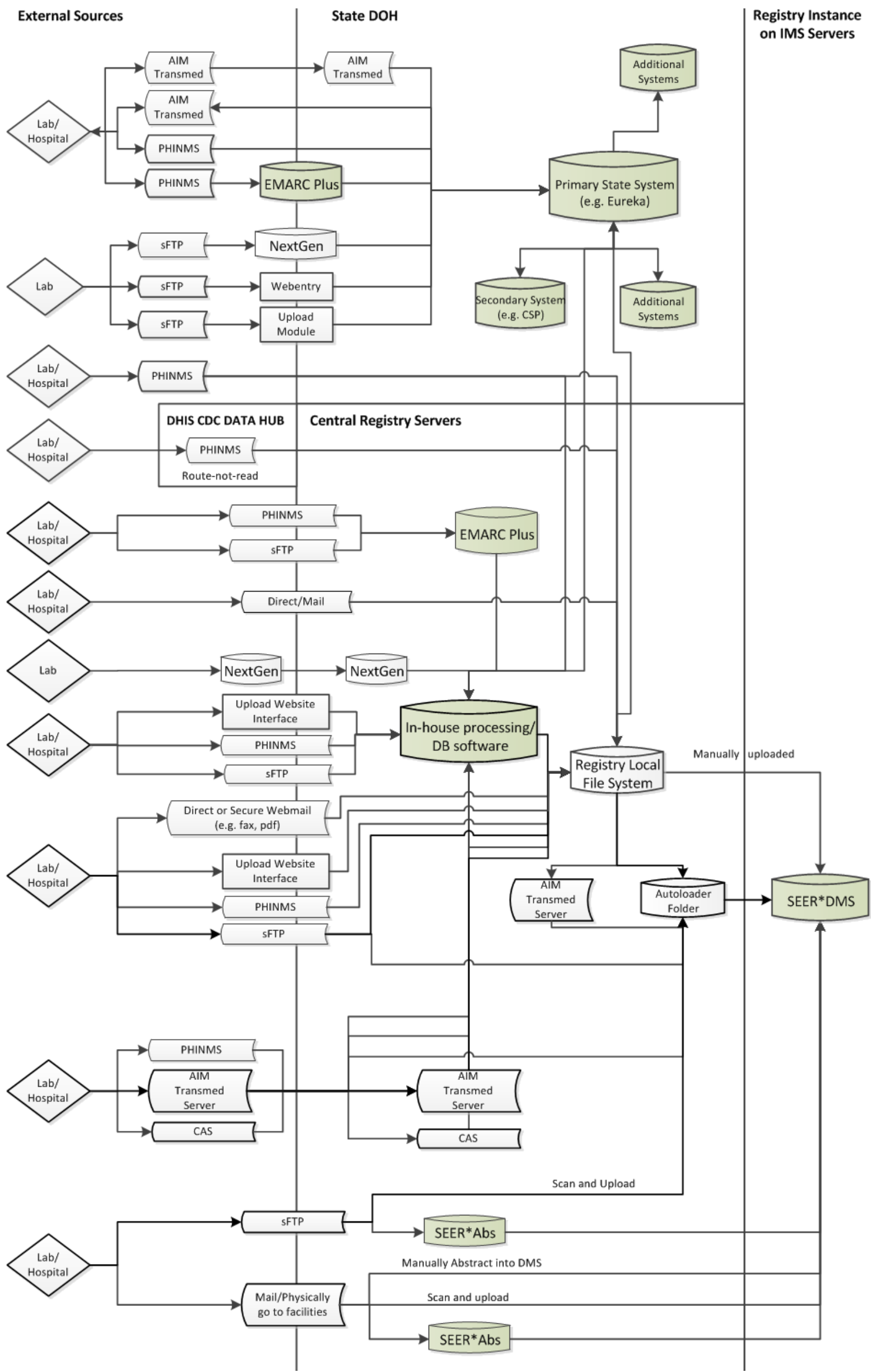
Next Steps

Q: Is there an opportunity to find best practices amongst registries for pathology processing to help (1) reduce variations where possible (2) inform development of NLP tools and other forms of automation?

Q: Can we identify ways to improve classifying pathology reports whether at the source or at the registry? How are terms decided? How are filters created?

Q: Can we define possible workflow processes for data brokerage to inform future builds in SEER*DMS? Pilot ways to make this process more efficient, standardized, and scalable?

Next: Breakout sessions to define some best practices for pathology processing, report classification, and data brokerage





Շնորհակալություն

감사합니다

谢谢

Þakka þér fyrir

有難う

Thank you

Danke

Gracias

спасибо

Obrigado

धन्यवाद

Takk

આભાર

